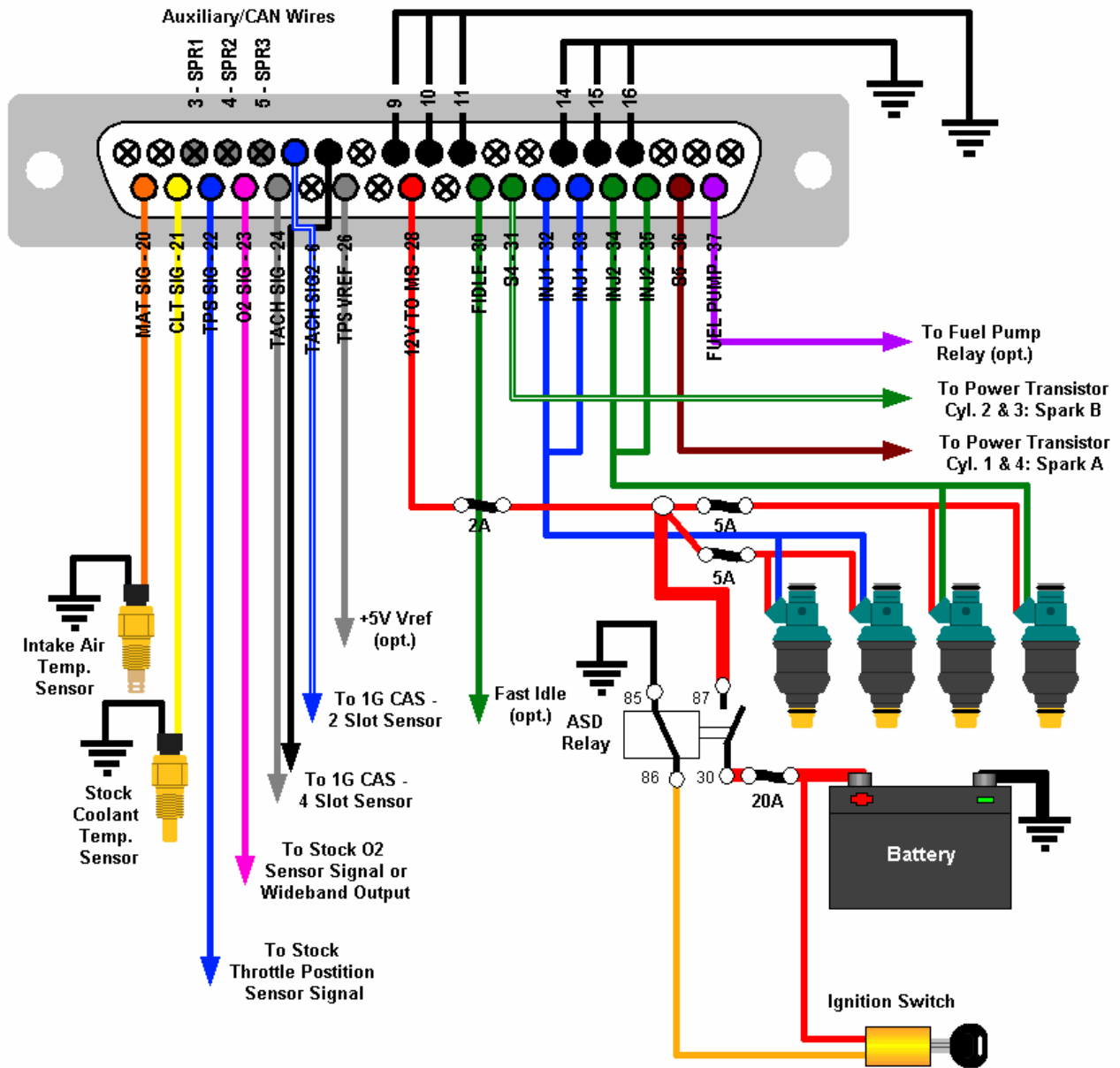


# SymTech Laboratories Assembled Megasquirt ECU's: Wiring Guide

## MegaSquirt Installation Wiring Diagram DSM/4G63 Wasted Spark

Color code corresponds to the SymTech Labs Wiring Harness  
Configuration Corresponds to SymTech Labs' 4663-configured Megasquirt ECU's  
<http://store.symtechlabs.com/>



Wire Label	Function
"Pin 36"	IG1/4 - Spark output to cylinders 1 and 4
Green/White "IAC-B"	IG2/3 - Spark output to cylinders 2 and 3
Blue/White "IAC-A"	Second crank trigger input

Need help? Contact [support@symtechlabs.com](mailto:support@symtechlabs.com) any time!